

PATTERN SCHEMATIC

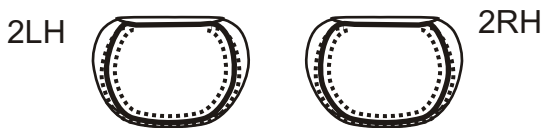
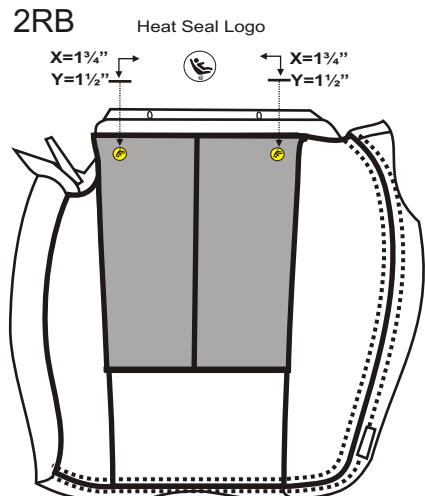
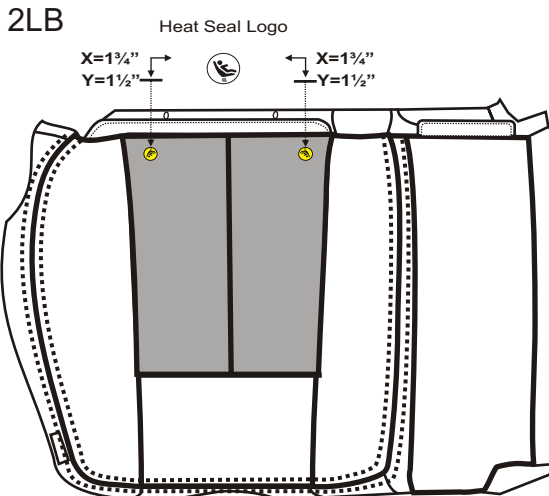
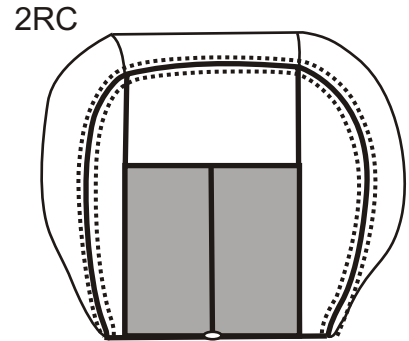
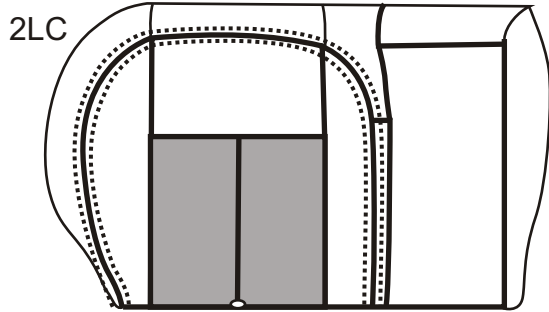
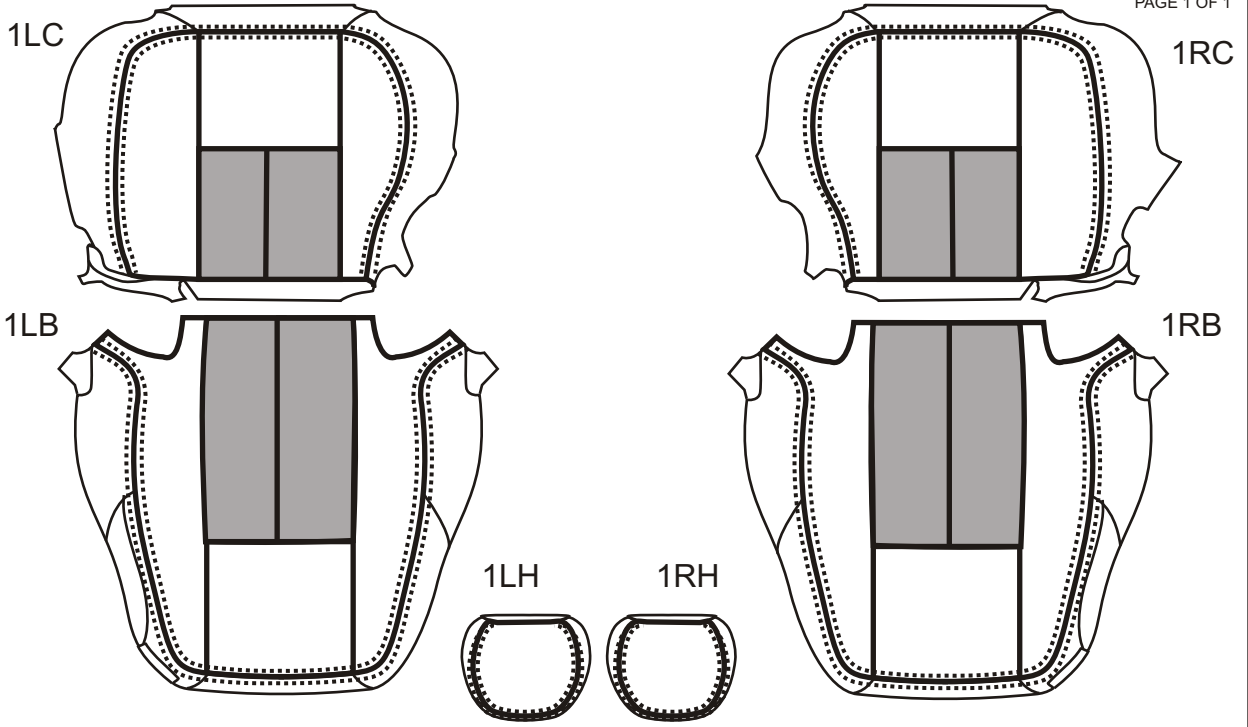
MR 110100 - 000013
 Revision 2 - 04/23/01
 PD 100104 - 506113
 Revision 2 - 08/09/05

PAGE 1 OF 1

Designation Code Reference
 Row - Position - Part
 1 L C
 1st Row - Left Side - Cushion

POSITION OF PART	
CODE	DESCRIPTION
C	Center
F	Full Width
L	Left Side
R	Right Side

PART NAME	
CODE	DESCRIPTION
A	Armrest
B	Backrest
C	Cushion
D	Door Panel
E	Extension
H	Headrest
I	Inboard Armrest
L	Armrest Lid
M	Miscellaneous Part
O	Outboard Armrest
P	Pocket
Q	Quarter Panel
R	Ring
S	Seat Back Panel
W	Wing



PLEASE SPECIFY: Trim Color Insert Color

Yes, make this set with Standard Perforation

506113

'05 Chevrolet Trail Blazer LS/LT/GMC Envoy SLE
 without Side Impact Airbags

PO:	LINE:	C#:
-----	-------	-----

Shaded Areas Represent Standard Two Tone Insert Color & Standard Perforated Area