

PATTERN SCHEMATIC

MR 110100 - 000013
 Revision 2 - 04/23/01
 PD 081505 - 526483
 Revision 0 - 08/15/05

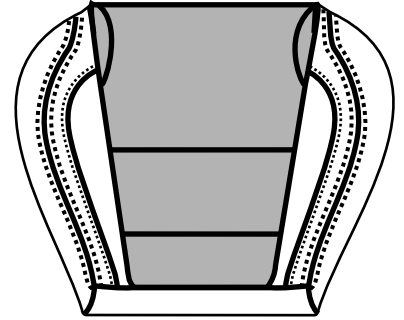
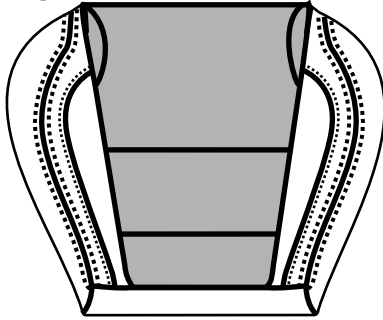
PAGE 1 OF 1

Designation Code Reference
 Row - Position - Part
 1 L C
 1st Row - Left Side - Cushion

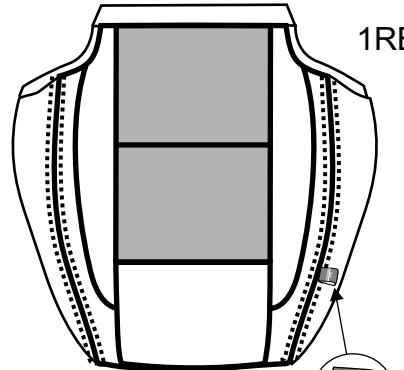
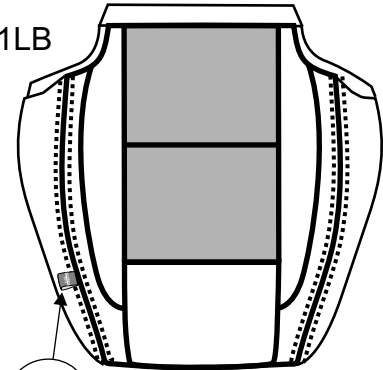
POSITION OF PART	
CODE	DESCRIPTION
C	Center
F	Full Width
L	Left Side
R	Right Side

PART NAME	
CODE	DESCRIPTION
A	Armrest
B	Backrest
C	Cushion
D	Door Panel
E	Extension
H	Headrest
I	Inboard Armrest
L	Armrest Lid
M	Miscellaneous Part
O	Outboard Armrest
P	Pocket
Q	Quarter Panel
R	Ring
S	Seat Back Panel
W	Wing

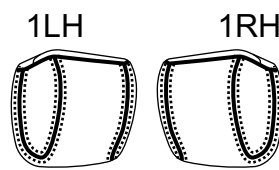
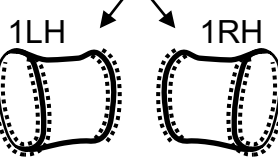
1LC



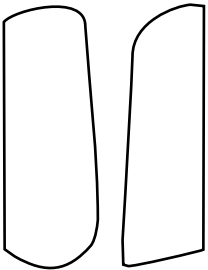
1LB



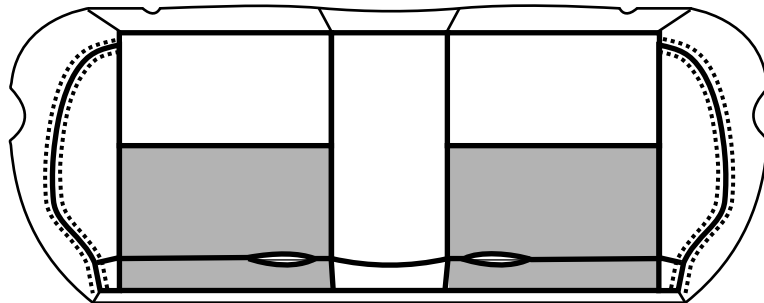
(2004)



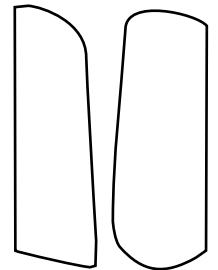
1LD



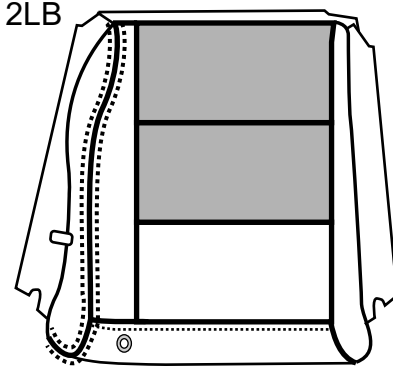
2FC



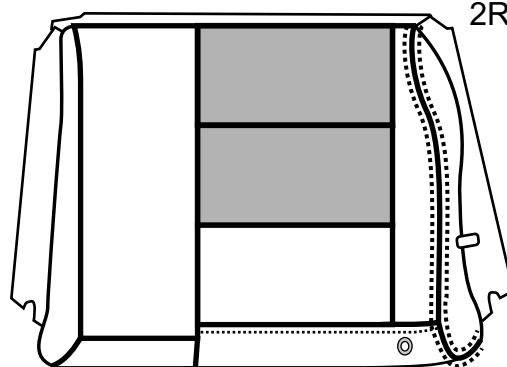
1RD



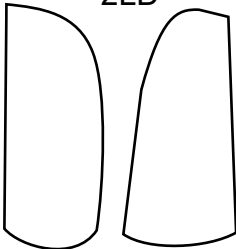
2LB



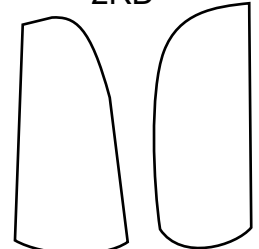
2RB



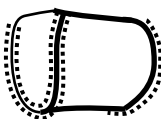
2LD



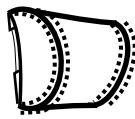
2RD



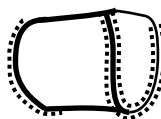
2LH



2CH



2RH



PLEASE SPECIFY:

Trim Color
 Insert Color

Yes, make this set with Standard Perforation

526483

'05 Saab 9-2X Wagon with Side Impact Airbags
 (Q-Value Kit)

PO:	LINE:	C#:
-----	-------	-----

Shaded Areas Represent Standard Two Tone Insert Color & Standard Perforated Area